

Wavebreaker hopfällbar tandem

NYHET



The unique feature in Wavebreaker® is that it can be folded and transported on the back of the car. This means that it is possible to bring the bicycle on holiday or weekend-trips.



meyland-smith
mobility and more

Freedom to go...

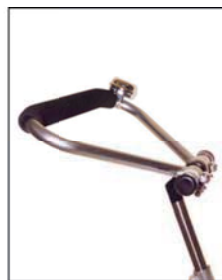
The foldable tandem bicycle Wavebreaker® with dual steering from Meyland-Smith is designed for parents with a disabled child. The tandem is built as a combined JUNIOR/ADULT bicycle with the junior bike in front. The unique feature of the Wavebreaker® is that it can be folded and put on a bicycle rack behind the car. Finally parents and their child can go on longer trips and still have the bike with them!! Wavebreaker® is made from high quality materials, which ensure longevity, maximum reliability and a minimum of maintenance. In addition, the bicycle is equipped with an integrated fitting for blocking the front steering, used if one wants to remove the possibility of steering the tandem from the front. As a special option Wavebreaker® can be fitted with a freewheeling front crank axle, which enables the adult to disconnect the front pair of pedals in case the child gets tired.

Accessories

Cradled handlebar
 Back brace with strap
 PVC back shield with strap
 Foot plates with straps
 Foot plates with straps and calf support
 Counterweights for foot plates
 Fitting for reducing the pedal arm length
 Freewheeling front crank axle



Foot plates w. straps and calf support



Cradled handlebar



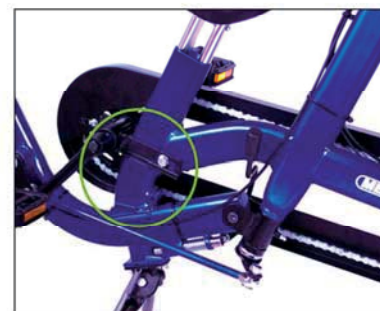
Back brace with strap



PVC back shield with strap



Wavebreaker® is available in the two colours metallic red and metallic blue. The front part of the frame fits children from around the age of 3 (approx. 80 cm tall) to small adults (approx. 165 cm tall) just by changing the seat pin. This is due to the fact that Wavebreaker® has a unique bracket that makes it possible to raise the front crank so the required "leg length" is shortened.



Facts about Wavebreaker®

Complete length	240 cm
Width (handlebar)	66 cm
Wheel size	24 x 1,75"
Saddle height rear	75 - 100 cm
Entering height (front / rear)	35 cm / 45 cm
Max. load	250 kg
Weight	32 kg

Wavebreaker® is available in two sizes and with two sizes of saddle post in front:
 Wavebreaker® size 1: = short saddle post = (38*) 47 - 66 cm saddle height in front
 Wavebreaker® size 2: = long saddle post = 66 - 85 cm saddle height in front

meyland-smith
 mobility and more

svensk generalagent



TRIDENT INDUSTRI AB
 Metallgatan 27, 262 72 Ängelholm
 tfn 0431 - 44 95 00, fax 0431 - 839 37
 info@trident.se, www.trident.se

Wavebreaker® is as a standard fitted with 5 or 7 gears, footbrake, 2 cantilever handbrakes, fitting for blocking front steering, luggage carrier, strong double kick stand, Basta Click-lock with key and all reflectors required by law.