





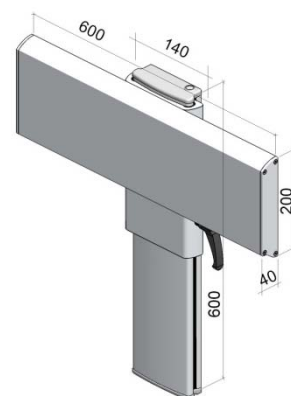
vertical adjustment



vertical and horizontal adjustment



Wall mounted height adjustable wash basin holder.
 Locking system on height adjustments.
 Wash basin holder height adjustable 280 mm.
 Suitable for all type of suspended wash basins.



Max. loading weight: 200 kg.

Materials:

Metal parts: Aluminium 6060 T5, Inox stainless steel AISI 304
 Plastic parts: ABS, PA6 30% GF, Nylon

Item code

Metal finishing (X)

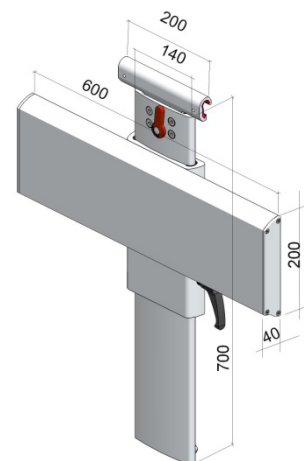
PRS-WBHV-(X)-(XX) (A) anodized, (C) chrome plated, (G) gold plated

Plastic parts colour available (XX): (w) white (r) red (b) blue (d) dark brown (bk) black

PRS-WBHV-A-W



Height adjustable wash basin holder for horizontal track.
 Locking system on height adjustments.
 Wash basin holder height adjustable 280 mm.
 Suitable for all type of suspended wash basins.



Max. loading weight: 200 kg.

Materials:

Metal parts: Aluminium 6060 T5, Inox stainless steel AISI 304
 Plastic parts: ABS, PA6 30% GF, Nylon

Item code

Metal finishing (X)

PRS-WSVH-(X)-(XX) (A) anodized, (C) chrome plated, (G) gold plated

Plastic parts colour available (XX): (w) white (r) red (b) blue (d) dark brown (bk) black

PRS-WBHVH-A-W

