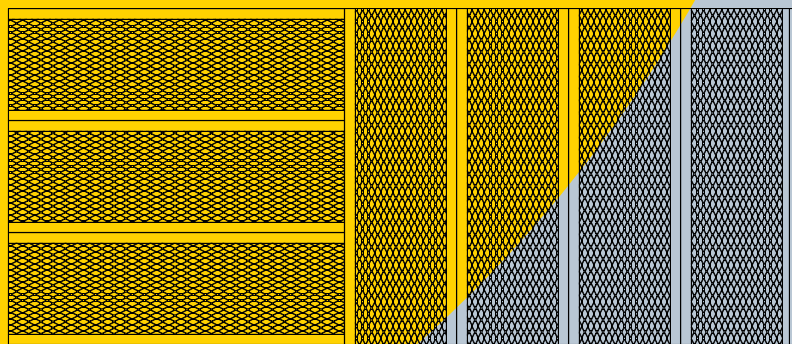


MINIRAMP

gives you unique possibilities

New



MP1x1

MR1300



TRIDENT MINIRAMP

more information at www.trident.se

Miniramp gives you unique possibilities

Save your money, time and environment

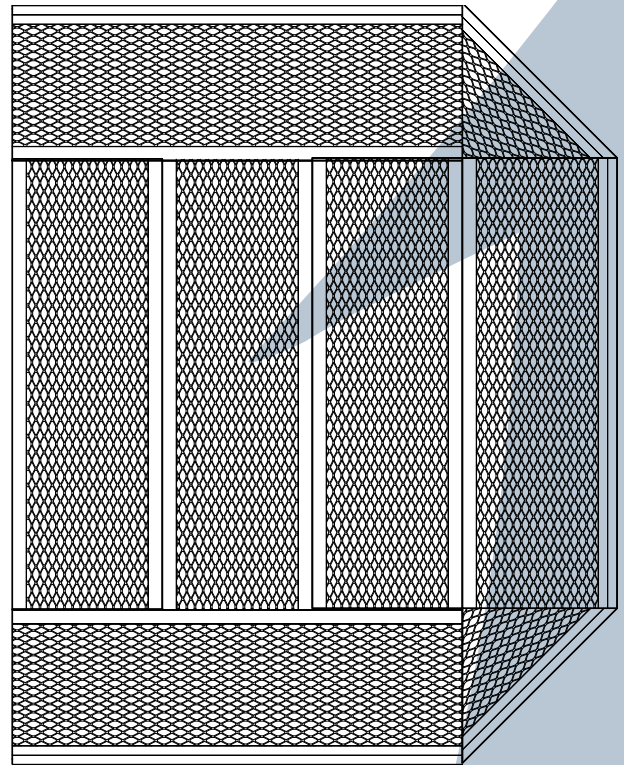
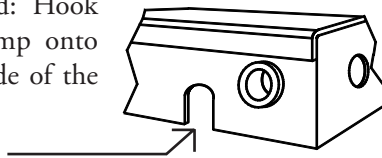
With the new Miniramp you can build small entrance platforms, steps and small ramps. Do you need a really good, anti-slip shoe-scraping surface in front of your entrance door? Use Miniramp. Miniramp is perfect for limited spaces with small height differences. The modules can be built together to a length of your choice and it is also possible to angle the ramp at 90°. When required kick sides can also be fitted to prevent slipping off.

The new Miniramp is used as a so-called ground attachment to the EU ramp (our modular system for large ramps). By combining the Miniramp and the EU ramp an excellent entrance solution can quickly be created, with the minimum of time for project planning and fitting. Can you take it apart and use it again somewhere else? Of course!

The modules are constructed to be usable for many years. The Miniramp is made of warm-galvanised steel. The tread surfaces are of expanded metal meshes (size 43 x 17mm).

The lowest usable height (build height) is 38 mm. With a standard leg kit, fitting can be carried out up to a height of 140mm.

Alternative fitting method: Hook the upper end of the ramp onto two screws fixed in the side of the threshold.



An example of the Miniramp with drive-up access on three sides. Two of the modules MR340 can be turned so that the angle of slope varies with the ramp. With standard modules this ramp can be fitted up to a maximum height of about 10cm. For greater heights we recommend special modules.

Product range

Artnr Article / complete kit

838003 Ramp module MR340, 340 x 960 mm

838007 Platform / extension module MP320, 320 x 960 mm

838014 Leg kit MB140, pair of legs for max fitting height 140 mm.

Also used as bearing profile for three ramp / platform modules.

838022 Kick sides MA960, length 960 mm. Combined drive-off protection and bearing profile for three ramp / platform modules.

838045 Triangular module MT45, for joining of two MR340 at 90°. Edge lengths 340, 340 and 480 mm.

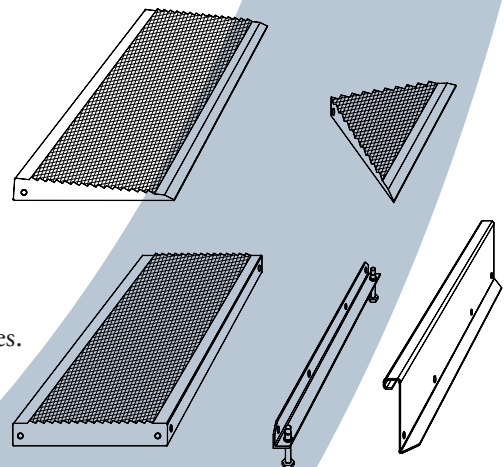
838088 Platform MP1x1, complete Miniplatform inc. support legs, 960 x 960 mm,

see part of the drawing page 1

838100 Ramp MR1000, complete Miniramp inc. support legs, 960 x 980 mm

838130 Ramp MR1300, complete Miniramp inc. support legs, 960 x 1300 mm,

see photograph and part of the drawing page 1



TRIDENT INDUSTRI AB, Metallgatan 27, SE-262 72 Ängelholm, Sweden
tfn +46 431 839 00, fax +46 431 839 37, info@trident.se, www.trident.se

